

Overview

- Reliable detection of a wide variety of labels and carrier materials including transparent or metallic labels
- Short set-up times without adjustment effort
- Precise label detection even at high conveyor speeds
- Fast commissioning and adjustment thanks to IO-Link



Technical data

General data

Type	Ultrasonic through beam sensors
Repeat accuracy	< 0.2 mm
Response time / release time	0.25 ms
Belt speed	4 m/sec
Min. label gap	> 2 mm
Label thickness	< 5.9 mm
Sensitivity adjustment	Teach-in button IO-Link
Output indicator	LED yellow

Communication interface

IO-Link	Yes
Interface	IO-Link V1.1
Baud rate	38,4 kBaud (COM 2)

Electrical data

Voltage supply range +Vs	18 ... 35 VDC
Current consumption max. (no load)	40 mA

Electrical data

Output function	NO / NC adjustable
Output circuit	IO-Link / push-pull
Output current	< 100 mA
Short circuit protection	Yes
Reverse polarity protection	Yes

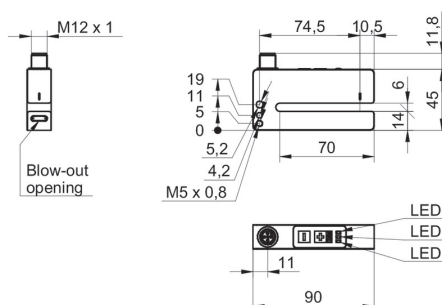
Mechanical data

Width / diameter	90 mm
Fork width Sb	6 mm
Height / length	45 mm
Penetration depth	70 mm
Depth	18 mm
Type	U profile
Housing material	Aluminum anodized
Connection types	Connector M12 5 pin

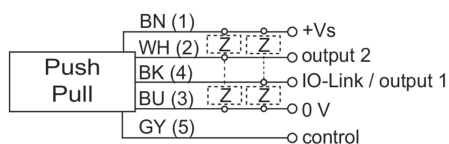
Ambient conditions

Operating temperature	0 ... +60 °C
Protection class	IP 67

Dimension drawing



Connection diagram



Pin assignment

