

Overview

- Best measuring performance due to precise measuring principle
- Simple teach-in via qTeach or line teach
- Shortest blind zone in its class
- High performance in compact housing
- Metal connector



Picture similar

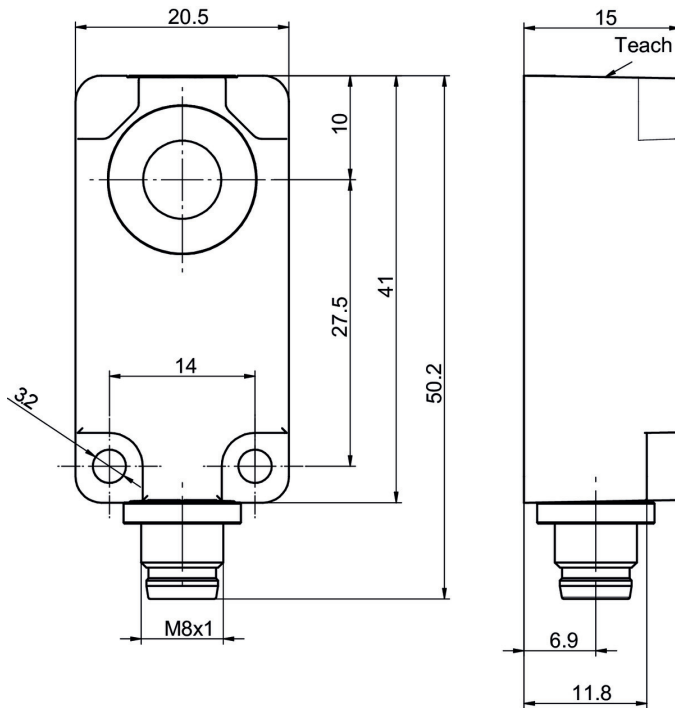


Technical data

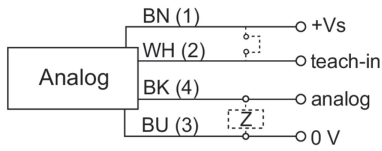
General data		Electrical data	
Scanning range Sd	20 ... 1000 mm	Voltage supply range +Vs	12 ... 30 VDC
Scanning range close limit Sdc	20 ... 1000 mm	Current consumption typ.	11 mA
Scanning range far limit Sde	20 ... 1000 mm	Output circuit	Current output
Hysteresis typ.	4 % Sde	Output signal	4 ... 20 mA / 20 ... 4 mA
Repeat accuracy	0.5 mm	Load resistance	< (+Vs - 10V) / 0,02 A
Resolution	< 0.3 mm	Residual ripple	< 10 % Vs
Response time ton/toff standard	< 60 ms	Short circuit protection	Yes
Response time ton/toff min	< 24 ms	Reverse polarity protection	Yes, Vs to GND
Temperature drift	< 2 % of distance to target Sde	Mechanical data	
Power-up drift	Compensated after 15 min.	Design	Rectangular
Sonic frequency	220 kHz	Housing material	Plastic (ASA, PMMA)
Adjustment	qTeach, line-Teach	Width / diameter	20.5 mm
Light indicator	LED yellow	Height / length	41 mm
Power on indication	LED green	Depth	15 mm
Alignment measuring axis	< 2°	Connection types	Connector M8 4 pin
		Ambient conditions	
		Operating temperature	-25 ... +65 °C
		Storage temperature	-25 ... +75 °C
		Protection class	IP 67

2023-12-14 The product features and technical data specified do not express or imply any warranty. Technical modifications subject to change.

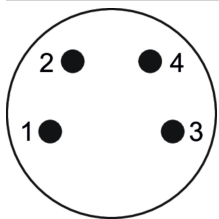
Dimension drawing



Connection diagram



Pin assignment



Typical sonic cone profile

