

Overview

- 0 ... 3 mm
- voltage output
- Teach-in
- connector M8
- -25 ... 75 °C
- IP 67



Picture similar



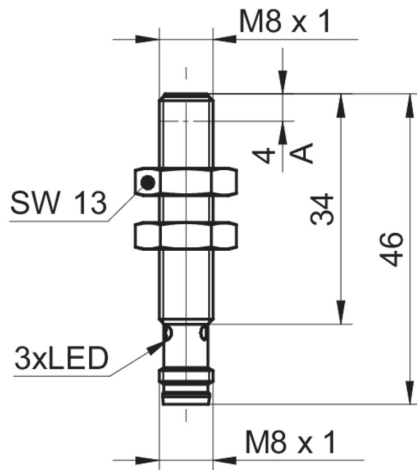
Technical data

General data		Electrical data	
Mounting type	Quasi-flush	Current consumption max. (no load)	12 mA
Special type	Linearized	Output circuit	Analog 0 ... 10 VDC
Measuring distance Sd	0 ... 3 mm	Load resistance	> 4000 Ohm
Sensitivity	3,33 V/mm	Short circuit protection	Yes
Resolution	< 0.003 mm (stat.) < 0.009 mm (dynam., S = 0 ... 2 mm) < 0.018 mm (dynam., S = 0 ... 3 mm)	Reverse polarity protection	Yes
Repeat accuracy	0.01 mm	Mechanical data	
Adjustment	Teach-in	Design	Cylindrical threaded
Linearity error	± 10 µm (S = 0 ... 2 mm) ± 90 µm (S = 0 ... 3 mm)	Material (sensing face)	PBT
Temperature drift	± 2 % (Full Scale: S = 0 ... 2 mm) ± 6 % (Full Scale: S = 0 ... 3 mm)	Housing material	Stainless steel
Teach-Feedback	LED yellow	Dimension	8 mm
Electrical data		Housing length	46 mm
Response time (factory characteristic)	< 2 ms	Connection types	Connector M8
Voltage supply range +Vs	12 ... 30 VDC	Tightening torque max.	10 Nm (A: 7 Nm)
		Ambient conditions	
		Operating temperature	-25 ... +75 °C
		Protection class	IP 67

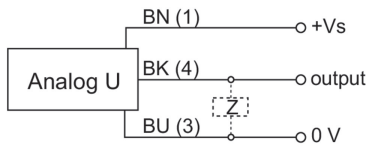
Remarks

- Linear analog output
- Magnetic Teach

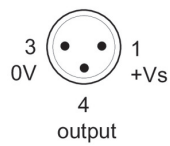
Dimension drawing



Connection diagram



Pin assignment



Accessories

Mounting accessories

10151719

Sensofix series 08 round