

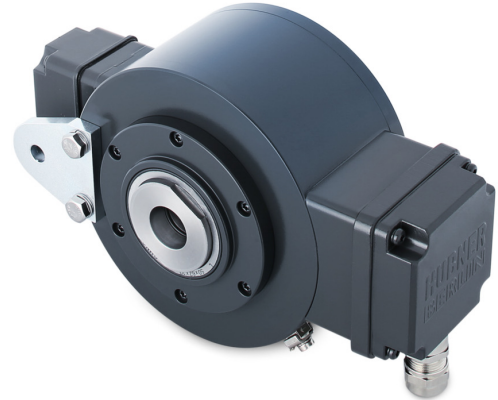
HOG 16 + DSL

Encoder with integrated programmable, digital speed switch

Through hollow shaft $\varnothing 20 \dots 50$ mm / 512...2500 pulses per revolution

Overview

- Freely programmable switch-on and switch-off speed
- Programming via included software (RS485 interface)
- Output stages HTL or TTL
- DSL.R: 3 outputs speed controlled
- DSL.E: 2 outputs speed controlled and 1 control output



Technical data

Technical data - electrical ratings

Voltage supply	With DSL.R: 15...30 VDC With DSL.E: 9...30 VDC
Consumption w/o load	≤ 200 mA
Sensing method	Optical
Approval	CE

Technical data - electrical ratings (encoder)

Pulses per revolution	512 ... 2500
Phase shift	$90^\circ \pm 20^\circ$
Duty cycle	40...60 %
Reference signal	Zero pulse, width 90°
Output frequency	≤ 120 kHz
Output signals	K1, K2, K0 + inverted
Output stages	HTL TTL/RS422

Technical data - electrical ratings (speed switch)

Interface	RS485
Switching accuracy	± 2 % (or Digit)
Switching outputs	With DSL.R: 3 outputs, speed control With DSL.E: 2 outputs, speed control and 1 control output
Output switching capacity	With DSL.R: 12 VDC; ≤ 40 mA With DSL.E: 5...230 VAC/VDC; 5...250 mA (EAC: < 50 VAC / 75 VDC)
Switching delay time	≤ 40 ms

Technical data - mechanical design

Size (flange)	$\varnothing 158$ mm
---------------	----------------------

Technical data - mechanical design

Shaft type	$\varnothing 20 \dots 50$ mm (through hollow shaft)
Admitted shaft load	≤ 450 N axial ≤ 600 N radial
Protection EN 60529	IP 66
Speed (n)	≤ 6000 rpm
Range of switching speed (ns)	Pulses = 512: $\pm 16 \dots 6000$ rpm Pulses = 1024: $\pm 8 \dots 6000$ rpm Pulses = 2000: $\pm 5 \dots 3600$ rpm Pulses = 2048: $\pm 4 \dots 3500$ rpm Pulses = 2500: $\pm 3 \dots 2900$ rpm
Operating torque	≤ 15 Ncm
Rotor moment of inertia	4.9 kgcm ²
Material	Housing: aluminium Shaft: stainless steel
Operating temperature	$-20 \dots +85$ °C
Resistance	IEC 60068-2-6 Vibration 15 g, 10-2000 Hz IEC 60068-2-27 Shock 300 g, 6 ms
Corrosion protection	IEC 60068-2-52 Salt mist for ambient conditions C4 according to ISO 12944-2
Connection	2x terminal box 3x terminal box (with option M)
Weight approx.	4 kg 5 kg (with option M)
Interference immunity	EN 61000-6-2
Emitted interference	EN 61000-6-3
Approval	CE

HOG 16 + DSL

Encoder with integrated programmable, digital speed switch

Through hollow shaft $\varnothing 20 \dots 50$ mm / 512...2500 pulses per revolution

Optional

- Relay module DS 93 R (DSL.R version only)
- Redundant sensing (option M)
- Hybrid bearing
- Earthing brushes

HOG 16 + DSL

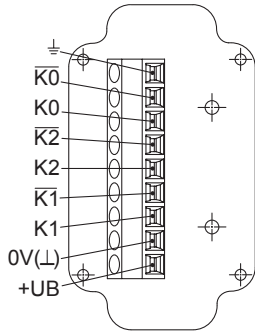
Encoder with integrated programmable, digital speed switch

Through hollow shaft $\varnothing 20 \dots 50$ mm / 512...2500 pulses per revolution

Terminal assignment

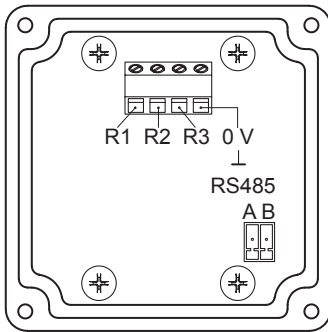
View A (see dimension)

Connecting terminal terminal box encoder



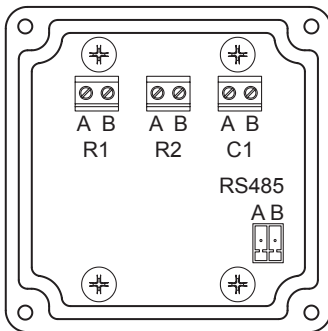
View B (see dimension)

Connecting terminal speed switch DSL.R



View B (see dimension)

Connecting terminal speed switch DSL.E



Terminal significance

Speed switch DSL.R

R1*	Transistor switching output 1, individually adjustable switching speed, High (12 V), Low (0 V), max. 20 mA
R2*	Transistor switching output 2, individually adjustable switching speed, High (12 V), Low (0 V), max. 20 mA
R3*	Transistor switching output 3, individually adjustable switching speed, High (12 V), Low (0 V), max. 20 mA
GND*	Ground connection
RS485	Interface for PC or Laptop (adapter required). Programming of the DSL via the included software.

* Connection to relay module, for example DS 93 R (accessory)

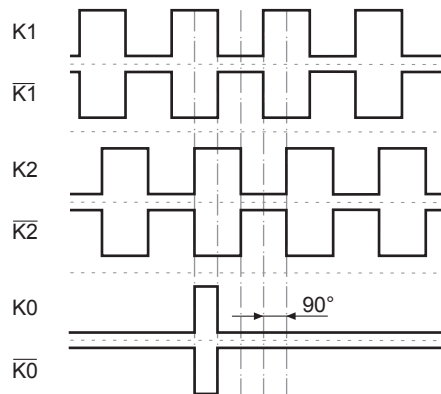
Speed switch DSL.E

R1 (A+B)	Electronic relay output 1, individually adjustable switching speed, 5...230 V AC/DC
R2 (A+B)	Electronic relay output 2, individually adjustable switching speed, 5...230 V AC/DC
C1 (A+B)	Electronic relay output as a control output, 5...250 mA
RS485	Interface for PC or Laptop (adapter required). Programming of the DSL via the included software.

Output signals

HTL/TTL

At positive rotating direction (see dimension)



Terminal significance

Encoder incremental

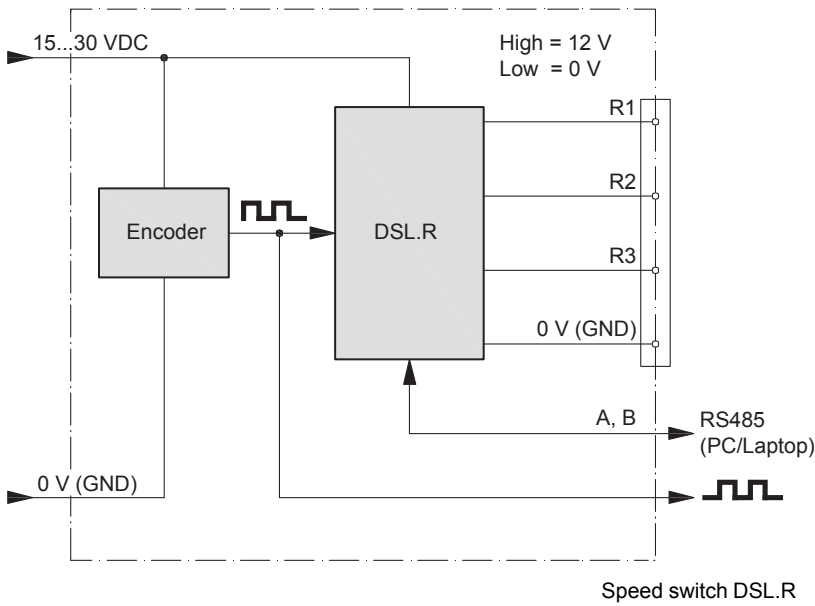
+UB	Voltage supply
0V (L)	Ground
⊥	Earth ground (housing)
K1	Output signal channel 1
$\bar{K}1$	Output signal channel 1 inverted
K2	Output signal channel 2 (offset by 90° to channel 1)
$\bar{K}2$	Output signal channel 2 inverted
K0	Zero pulse (reference signal)
$\bar{K}0$	Zero pulse inverted

HOG 16 + DSL

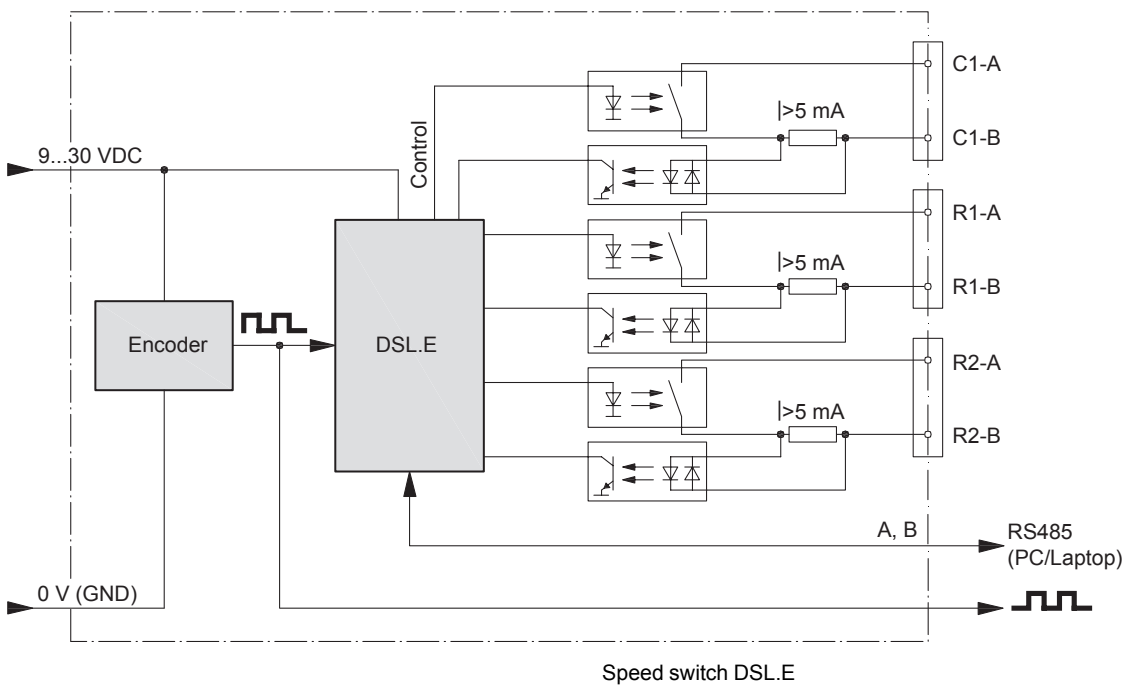
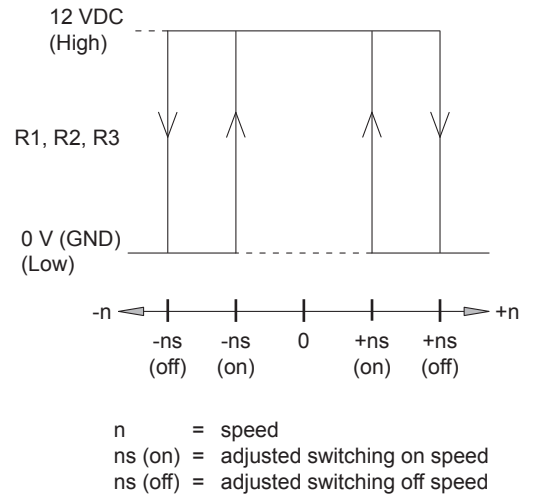
Encoder with integrated programmable, digital speed switch

Through hollow shaft $\varnothing 20 \dots 50$ mm / 512...2500 pulses per revolution

Block circuit diagram



Switching characteristics



HOG 16 + DSL

Encoder with integrated programmable, digital speed switch

 Through hollow shaft $\varnothing 20 \dots 50$ mm / 512...2500 pulses per revolution

Ordering reference

	HOG16	#	#	DN	####	#	#####	#####
Product	Incremental encoder + Speed switch	HOG16						
Shaft type	Standard ball bearings							
	With hybrid bearings		C					
Redundant sensing	Without redundant sensing							
	With redundant sensing		M					
Output signals	K1, K2, K0			DN				
Pulse number	512				512			
	1024				1024			
	2048				2048			
	2500				2500			
Incremental output	Output circuit HTL with inverted signals						I	
	Output circuit TTL with inverted signals						R	
Shaft diameter	Blind hollow shaft $\varnothing 20$ mm							20H7
	Through hollow shaft $\varnothing 25$ mm							25H7
	Through hollow shaft $\varnothing 30$ mm							30H7
	Through hollow shaft $\varnothing 50$ mm							50H7
Version speed switch	2 outputs, speed control and 1 control output							+ DSL.E
	3 outputs, speed control							+ DSL.R

Accessories

Mounting accessories

11054922	Torque arm M12, length 145...170 mm
11054921	Torque arm M12, length 180...205 mm
11072741	Torque arm M12, length 480...540 mm (≥ 200 mm)
11054924	Torque arm M12 insulated, length 145...170 mm
11072723	Torque arm M12 insulated, length 480...540 mm (≥ 200 mm)
11069336	Mounting kit for torque arm size M12 and an earthing strap