

FCE 200DH400

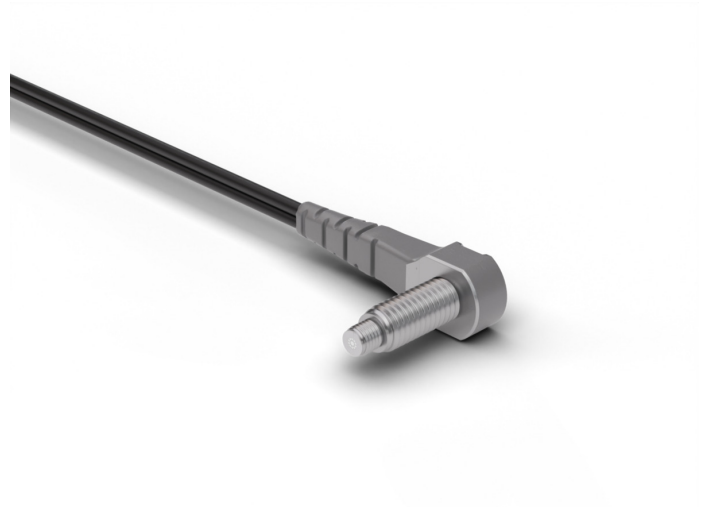
Plastic fiber optic cable

Article number: 11708588

Preliminary

Overview

- Diffuse type
- Sensing distance up to 266 mm
- Threaded sensing head M4, 90° fiber exit, coaxial fiber layout for increased precision
- Plastic fiber 200 cm long, with bend protection
- Operating temperature up to +70 °C
- For compact fiber optic sensors FVDK 10 and OF10



Picture similar

Technical data

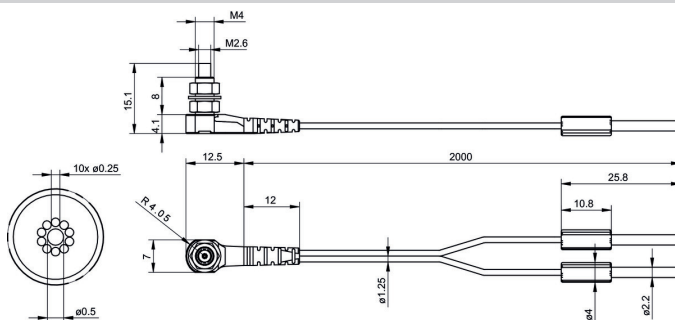
General data

| | |
|---|---|
| Particular characteristics | Coaxial fiber layout Bend protection |
| Operating principle | Diffuse type |
| Sensing distance Tw | 266 mm |
| Fiber optic head | Cylindrical threaded, 90° fiber exit |
| Operating temperature | -55 ... +70 °C |
| Exit angle | 60° |
| Fiber optics can be shortened to length | Yes |
| Integrated lens | No |
| Adaptable lens | Yes |
| Infrared light compatibility (1450 nm) | No |

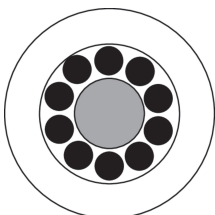
Mechanical data

| | |
|------------------------------|-----------------|
| Diameter Fiber | 0.5 mm |
| Width / diameter (head) | 4 mm |
| Height / length (head) | 15.1 mm |
| Material (head) | Stainless steel |
| Thread | M4 x 0.7 |
| Bending radius (fixed) | 15 mm |
| Cable jacket diameter | 1.25 mm |
| Material cable jacket | PE |
| Material (fiber optic cable) | Plastic |
| Length (fiber optic cable) | 200 cm |

Dimension drawing



Fiber arrangement



Sensing distance diagram

| | Mode | Sensing Distance Tw [mm] |
|-----------|------------------|--------------------------|
| OF10 | Ultra-High-Speed | 101 |
| | High-Speed | 130 |
| | Standard | 146 |
| | High-Resolution | 185 |
| | Long-Range | 230 |
| | Ultra-Long-Range | 266 |
| FVDK 10x6 | Fast | 81 |
| | Semi Fast | 132 |
| | Normal | 155 |
| FVDK 10x5 | Potentiometer | 26 |

Preliminary

Accessories

Fitting fiber optic sensors

| | |
|----------|------------------------|
| 11252204 | OF10.FR-GW2J.B2NV/A014 |
| 11244386 | OF10.FR-GW2J.B2CV/A014 |
| 11224111 | OF10.FR-PW1B.B2N |
| 11224008 | OF10.FR-NW1B.B2CV |
| 11224009 | OF10.FR-NW1B.B2N |
| 11224110 | OF10.FR-PW1B.B2CV |
| 11244384 | OF10.FR-GW2J.B2N/A014 |
| 10162867 | FVDK 10N5101 |
| 10162865 | FVDK 10N5101/S35A |
| 10162866 | FVDK 10P5101 |
| 10162864 | FVDK 10P5101/S35A |
| 11045446 | FVDK 10N66Y0 |
| 11045448 | FVDK 10N66Y0/S35A |
| 11045460 | FVDK 10N66YR |
| 11045445 | FVDK 10P66Y0 |
| 11045447 | FVDK 10P66Y0/S35A |
| 11045449 | FVDK 10P66YR |
| 11214490 | FVDK 10P66ZR |
| 11214493 | FVDK 10P66Z0/S35A |
| 11214478 | FVDK 10P66Z0 |
| 11214492 | FVDK 10N66ZR |
| 11214494 | FVDK 10N66Z0/S35A |
| 11214479 | FVDK 10N66Z0 |
| 11045462 | FVDK 10N66YM |
| 11045464 | FVDK 10N66YS |
| 11045461 | FVDK 10P66YM |
| 11045463 | FVDK 10P66YS |

Mounting accessories

| | |
|----------|------------------|
| 11708552 | ZTOOL-FBR.CUTTER |
|----------|------------------|

Lenses and components

| | |
|----------|-------------------------|
| 11708559 | ZADAP-FBR.1_3MM |
| 11708556 | ZLENS-FBR.M4_10MM_0.7MM |
| 11708558 | ZLENS-FBR.M4_18MM_0.7MM |