

## FAPY 50

LongLife DC tachgenerator with foot mount and 5/16" solid shaft with flat, terminal box with 1/2" -14 NPT cable entry

Article number: 11055497

### Overview

- Low response time
- Open circuit voltage 50 V per 1000 rpm
- Calibration tolerance  $\pm 1\%$
- Housing foot B3
- Very high resistance to shock
- High signal quality due to patented LongLife technology
- Recognition of sense of rotation possible via control
- CSA / C / US approved



**HUBNER**  
BERLIN  
A Baumer Brand

### Technical data

#### Technical data - electrical ratings

Reversal tolerance	$\leq 0.1\%$
Linearity tolerance	$\leq 0.15\%$
Temperature coefficient	$\pm 0.05\%/K$ (open-circuit)
Isolation class	B
Calibration tolerance	$\pm 1\%$
Climatic test	Humid heat, constant (IEC 60068-2-3, Ca)
Armature-circuit time-constant	$< 75\ \mu s$
Open-circuit voltage	50 V per 1000 rpm
Interference immunity	EN 61000-6-2
Emitted interference	EN 61000-6-3
Approval	CE, CSA C/US

#### Technical data - mechanical design

Size (flange)	3.88"
Shaft type	$\varnothing 5/16"$ , solid shaft with flat

#### Technical data - mechanical design

Flange	Housing foot B3
Protection EN 60529	IP 55
Operating speed	$\leq 10000$ rpm
Torque	1.5 Ncm
Rotor moment of inertia	1.1 kgcm <sup>2</sup>
Admitted shaft load	$\leq 60$ N axial $\leq 80$ N radial
Material	Housing: aluminium die-cast Shaft: stainless steel
Operating temperature	-22...+266 °F
Resistance	IEC 60068-2-6 Vibration 10 g, 10-2000 Hz IEC 60068-2-27 Shock 300 g, 1 ms
Weight approx.	2.6 kg
Connection	Terminal box with 1/2" -14 NPT cable entry

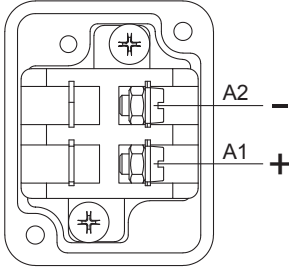
# FAPY 50

LongLife DC tachgenerator with foot mount and 5/16" solid shaft with flat, terminal box with 1/2" -14 NPT cable entry

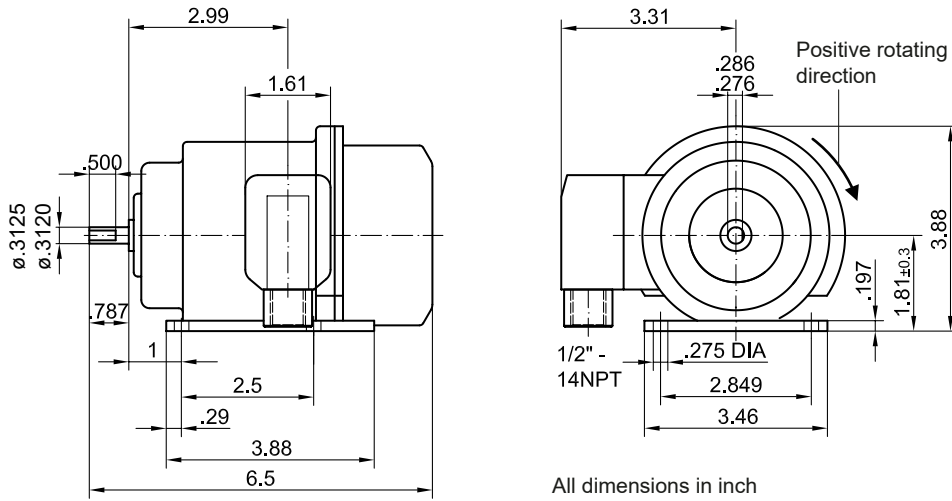
Article number: 11055497

## Terminal assignment

Polarity for positive rotating direction



## Dimensions



## FAPY 50

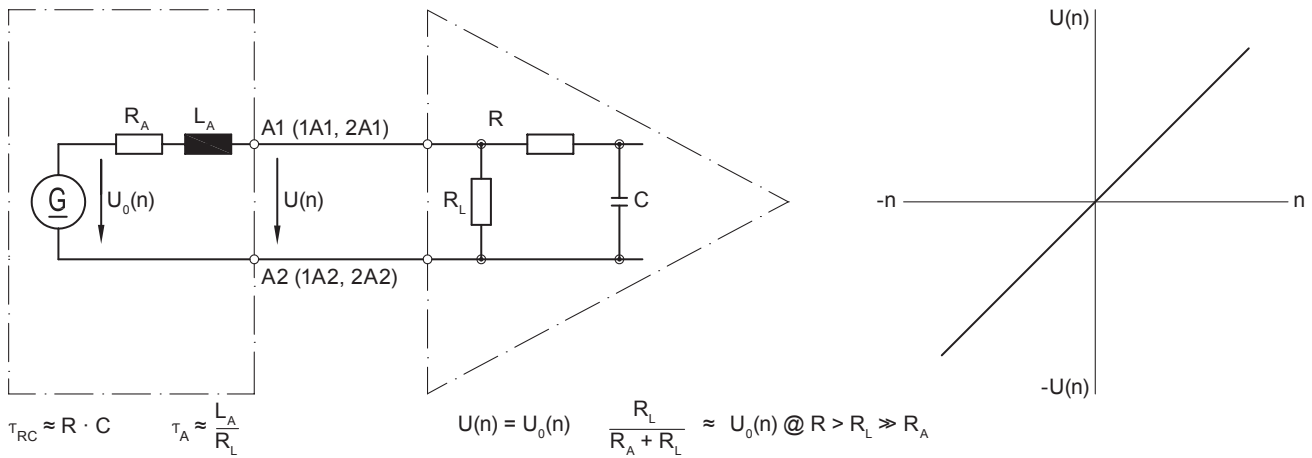
LongLife DC tachgenerator with foot mount and 5/16" solid shaft with flat, terminal box with 1/2" -14 NPT cable entry

Article number: 11055497

### Data according to type

Type	Off-load voltage $U_0$ [mV/rpm]	Minimum load required depending on speed range [rpm]			Armature resistance $R_A$ (68°F) [Ω]	Armature inductance $L_A$ [mH]
		0-3000 $R_L$ [kΩ]	0-6000 $R_L$ [kΩ]	0- $n_{max}$ $R_L$ [kΩ]		
FAPY 50	50	≥1.9	≥7.8	≥21.5	66	137
Superimposed ripple (for $\tau_{RC} = 0.7$ ms):		≤0.5% (peak-peak)		≤0.2% (rms)		

### Equivalent circuit diagram



### Accessories

#### Mounting accessories

Spring disk coupling K35 (shaft  $\varnothing 6 \dots 12$  mm)