

## EExGP 0,2

Ex approval ATEX II 2 G Ex db eb IIC T6 Gb

Solid shaft  $\varnothing 11$  mm with EURO flange B10

### Overview

- Tachogenerator / ATEX
- Ex-approved by ATEX II 2 G Ex db eb IIC T6 Gb
- Low response time
- Open circuit voltage 20...150 mV per rpm
- Solid shaft  $\varnothing 11$  mm
- EURO flange B10
- High signal quality due to patented LongLife technology
- Recognition of sense of rotation



### Technical data

#### Technical data - electrical ratings

Reversal tolerance	$\leq 0.1$ %
Linearity tolerance	$\leq 0.15$ %
Temperature coefficient	$\pm 0.06$ %/K (open-circuit)
Isolation class	B
Calibration tolerance	$\pm 5$ %
Climatic test	Humid heat, constant (IEC 60068-2-3, Ca)
Performance	12 W (speed $\geq 5000$ rpm)
Armature-circuit time-constant	$< 150$ $\mu$ s
Open-circuit voltage	20...150 mV per rpm
Interference immunity	EN 61000-6-2
Emitted interference	EN 61000-6-3
Approval	CE ATEX

#### Technical data - mechanical design

Size (flange)	$\varnothing 115$ mm
Shaft type	$\varnothing 11$ mm solid shaft

#### Technical data - mechanical design

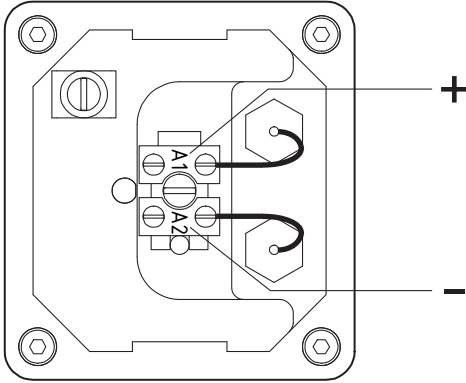
Flange	EURO flange B10
Protection EN 60529	IP 54 (T6)
Torque	1.5 Ncm
Rotor moment of inertia	1.15 kgcm <sup>2</sup>
Admitted shaft load	$\leq 60$ N axial $\leq 80$ N radial
Material	Aluminium die cast alloy Shaft: stainless steel
Ambient temperature	-20...+55 °C
Resistance	IEC 60068-2-6 Vibration 10 g, 10-2000 Hz IEC 60068-2-27 Shock 300 g, 6 ms
Corrosion protection	IEC 60068-2-52 Salt mist for ambient conditions C4 according to ISO 12944-2
Explosion protection	II 2 G Ex db eb IIC T6 Gb (gas)
Weight approx.	3.8 kg
Connection	Screw terminal connector

**Terminal assignment**

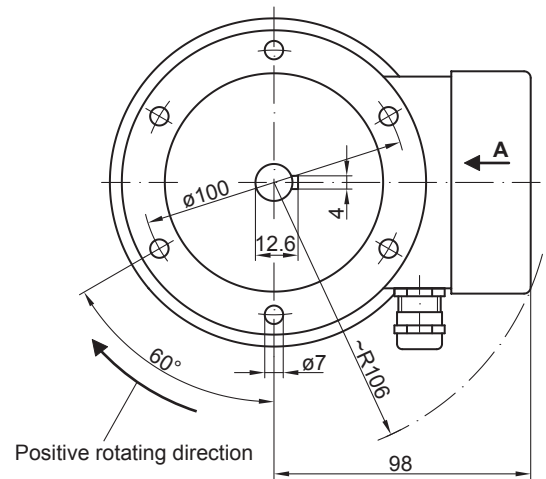
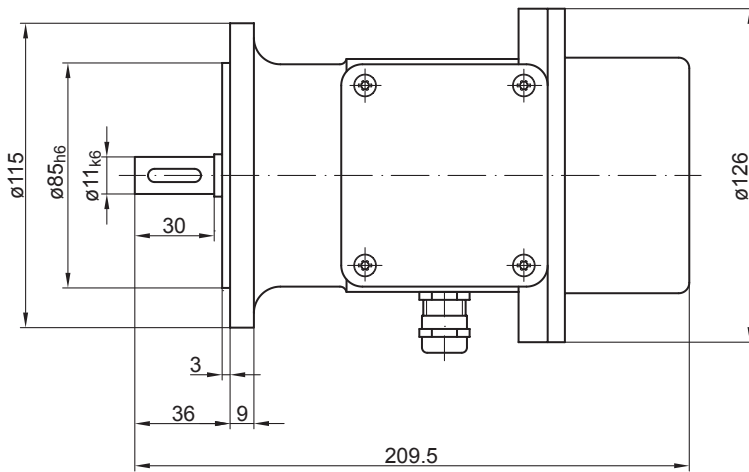
**View A** (see dimension)

Connecting terminal

Polarity for positive rotating direction



**Dimensions**



# EExGP 0,2

Ex approval ATEX II 2 G Ex db eb IIC T6 Gb

Solid shaft ø11 mm with EURO flange B10

## Ordering reference

EExGP0,2 L- #####

## Product

Tachogenerator

EExGP0,2 L-

## Open-circuit voltage

20 mV per rpm	14
40 mV per rpm	5
60 mV per rpm	4
100 mV per rpm	3
150 mV per rpm	1

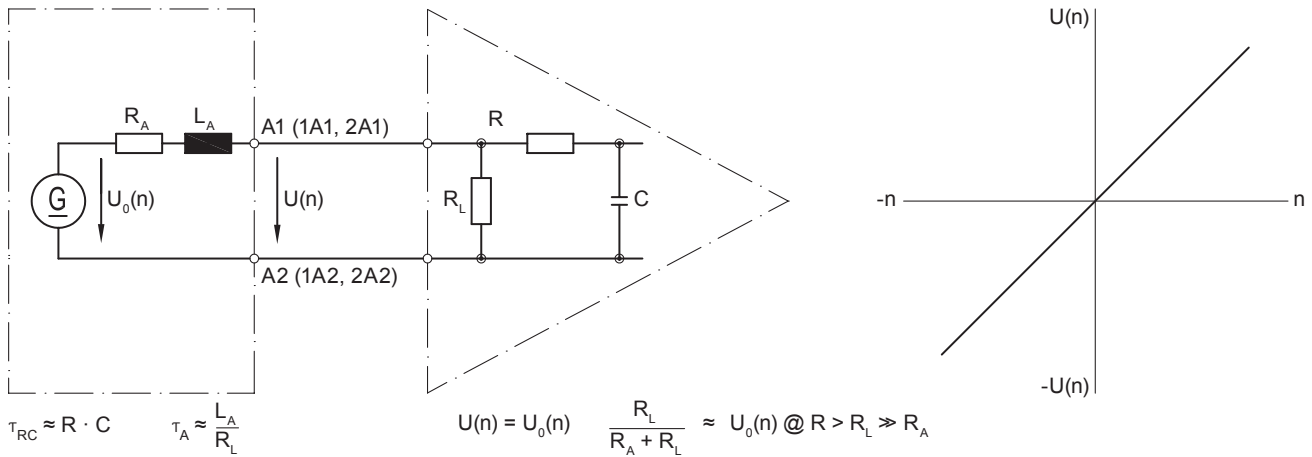
## Data according to type

Type	Voltage (DC)	At current	Minimum load required depending on speed range [rpm]			Maximum operating speed	Armature resistance	Armature inductance
	$U_0$ [mV/rpm]		0-3000	0-6000	0- $n_{max}$			
EExGP0,2 L-14	20	open-circuit	$\geq 0.3$	$\geq 1.2$	$\geq 2.2$	8000	9.2	45
EExGP0,2 L-5	40	open-circuit	$\geq 1.2$	$\geq 4.8$	$\geq 8.6$	8000	38	170
EExGP0,2 L-4	60	open-circuit	$\geq 2.7$	$\geq 11$	$\geq 15$	7000	86	390
EExGP0,2 L-3	100	open-circuit	$\geq 7.5$	–	$\geq 15$	4200	235	1080
EExGP0,2 L-1	150	open-circuit	–	–	$\geq 16$	2800	575	2420

Superimposed ripple (for  $\tau_{RC} = 0.7$  ms):  $\leq 0.6\%$  (peak-peak)  $\leq 0.2\%$  (rms)

## Equivalent circuit diagram

Tachogenerator



Polarity for positive rotating direction (see dimension) / A1 (1A1, 2A1): + (VDE) / A2 (1A2, 2A2): - (VDE)

## Accessories

### Mounting accessories

- Spring disk coupling K 35 (shaft ø6...12 mm)
- Spring disk coupling K 50 (shaft ø11...16 mm)
- Spring disk coupling K 60 (shaft ø11...22 mm)